

Li-Ion/Li-Poly Battery Charge and System Load Sharing Management Design Guide With MCP73871

Author: Brian Chu
Microchip Technology Inc.

INTRODUCTION

The rechargeable Li-Ion/Li-Poly batteries are widely used in today's portable Consumer Electronics (CE). Commonly seen Li-Poly batteries are Li-Ion Polymer batteries that use a solid polymer separator and share the same charge algorithm with Li-Ion batteries. Thus, Li-Ion batteries will represent both Li-Ion and Li-Poly batteries in this application note. Because of the growing features and the increasing size of the display in a portable electronic product, the battery usage is also modifying. The daily battery charging frequency increases, and it becomes important to operate a device while charging its battery.

The traditional method to design a battery-powered system is to connect the system load directly on the battery. The system load continuously discharges the Li-Ion battery and costs a battery's life cycle. In order to maximize the life cycle of Li-Ion batteries, it is recommended to terminate the charge properly and power the system from the input power supply, when it

is available. To prevent overcharging Li-Ion batteries, an elapse timer is usually required as a secondary method to turn off the battery charge activities, before a proper termination condition is met. Minimum current detection during the Constant Voltage (CV) stage is the typical termination method for Li-Ion batteries. If a system is constantly drawing current out of a Li-Ion battery, the charge management system will never be terminated properly by minimum current. It can turn on and off periodically, or result in an error by a timer-fault condition.

Microchip's MCP73871 was developed to overcome these design challenges of Li-Ion battery-powered applications. The MCP73871 is a monolithic solution that offers compact size and rich features. It is an ideal candidate to design in small form-factor systems, while extending the system runtimes and battery life.

This application note is intended to offer detailed design guidance for portable electronics designers who are interested in taking advantage of using Microchip's MCP73871 in their projects. The MCP73871 demonstrates strategies to deliver Li-Ion charge management solutions in a short time, satisfying space and cost concerns.

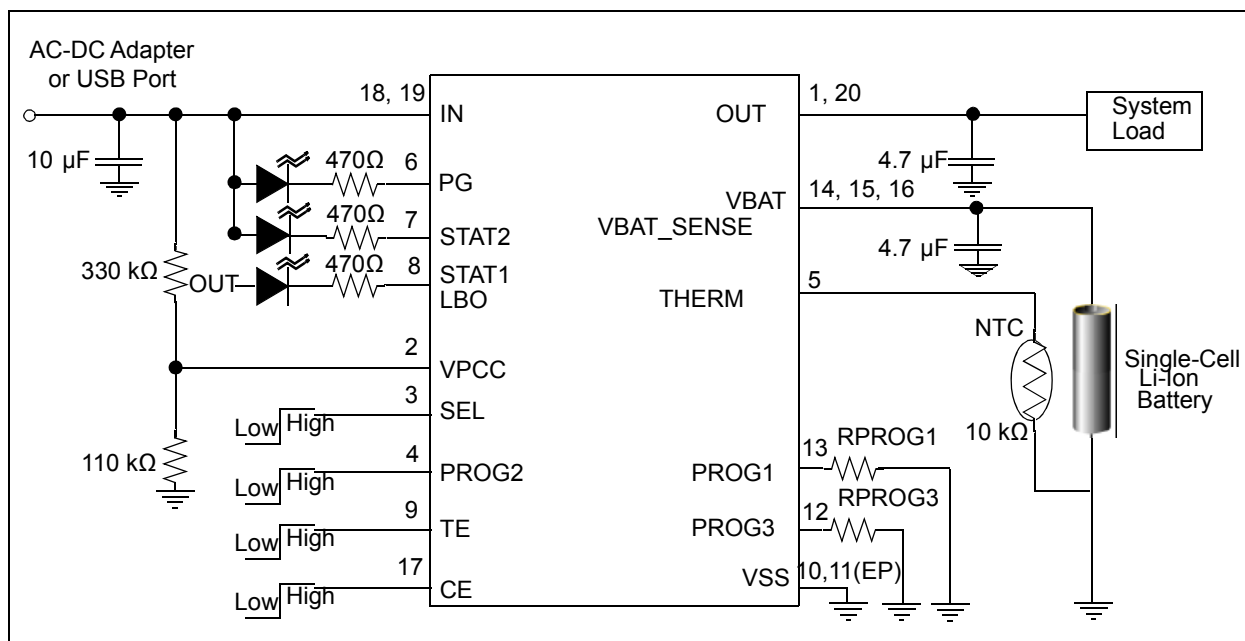


FIGURE 1: Typical MCP73871 Application.

MCP73871 DEVICE DESCRIPTION

The MCP73871 device is a fully integrated linear solution for system load sharing and Li-Ion/Li-Polymer battery charge management, with AC-DC wall adapter and USB port power sources selection. It is also capable of autonomous power source selection between input or battery. Along with its small physical size, the low number of required external components makes the device ideally suited for portable applications. The MCP73871 device automatically obtains power for the system load from a single-cell Li-Ion battery or an input power source (AC-DC wall adapter or USB port). The MCP73871 device specifically adheres to the current draw limits governed by the USB specification. With an AC-DC wall adapter providing power to the system, an external resistor sets the magnitude of 1A maximum charge current, while supporting up to 1.8A total current for the system load and battery charge current.

The MCP73871 device employs a Constant Current/Constant Voltage (CC/CV) charge algorithm with a selectable charge termination point. The constant voltage regulation is fixed with four available options: 4.10V, 4.20V, 4.35V, or 4.40V to accommodate the new, emerging battery charging requirements. The MCP73871 device also limits the charge current based on die temperature during high-power or high-ambient conditions. This thermal regulation optimizes the charge cycle time, while maintaining the device reliability.

The MCP73871 device includes a low-battery indicator, a power-good indicator and two charge status indicators that allows for outputs with LEDs or communication with host microcontrollers. The MCP73871 device is fully specified over the ambient temperature range of -40°C to +85°C.

This application note shows how to design a simple system load sharing and battery management system with Microchip's popular MCP73871 for cost-sensitive applications.

For more in-depth documentation on these subjects please refer to [Section "References"](#).

Note: The above information is available in the MCP73871 data sheet (DS22090).

EXAMPLE OF BATTERY CHARGER AND SYSTEM LOAD SHARING DESIGN SPECIFICATIONS

The example system that will be applied in this application note requires an average of 100 mA load current, and consumes a maximum of 500 mA peak current for a short duration of time. A 950 mAh rated Li-Ion battery is used to operate the example system.

The system continuously operates while charging the Li-Ion battery. The input power supply supplies the system load and charges the battery when a battery is present in the system. When the input power source is removed, the system is supported by the battery. When the system load and the battery charge current requires more energy than the supply current can afford, the system load has higher priority than the battery charger.

Note: Customers should contact their distributor, representative or field application engineer (FAE) for support. Local sales offices are also available to help customers. A listing of sales offices and locations is included at the back of this document. Technical support is available through the web site at: <http://www.microchip.com/support>. The information in this application note is for reference only. Product design and production are the customer's responsibilities.

LI-ION/LI-POLYMER BATTERIES

Important attributes when selecting a battery are:

- Internal Resistance
- Operational Load Current
- Energy Density (Size and Weight)
- Charge/Discharge Cycles (Life Cycle)
- Capacity (dominates the operational duration without external power source present)

As with most engineering work, these key attributes do not coincide with a reasonable cost. There is always a trade-off between them when selecting the battery chemistry for a portable application. Please refer to Microchip's AN1088 – *"Selecting the Right Battery System for Cost-Sensitive Portable Applications While Maintaining Excellent Quality"* for the details of battery chemistry comparisons. [5]

Li-Polymer batteries are also recognized as Li-Ion Polymer batteries. Li-Polymer can be charged with the same algorithm as Li-Ion batteries. The flexible form-factors, such as high energy density in weight (about 200 Wh/kg) and volume (about 400 Wh/kg), and a relatively low profile to fit inside the compact applications, make them ideal candidates for portable products.

Note: A protection circuit is required for Li-Ion batteries to prevent overvoltage during the charge cycle, and under voltage during the discharge cycle; overcurrent as well in both directions.

Batteries usually take a considerable amount of space and weight in today's portable devices. The energy density for each chemistry dominates the size and weight for the battery pack. Li-Ion has advantages in both energy density weight and energy density volume among other available battery technologies.

MCP73871 DESIGN GUIDE

The integrated system load sharing and the power path management features of the MCP73871 simplify the design and reduce the circuit board space. Unlike low-cost Li-Ion battery charge management solutions, the MCP73871 requires additional planning ahead when designing a system around it. This section will offer a detailed design guidance to develop a Li-Ion battery powered system.

System Output Terminal (OUT)

The MCP73871 powers a device from system output terminals, pin 1 and pin 20. There is no fixed voltage regulation to the system from the device. Therefore, proper DC-DC converters might be required for system design. A designer has to carefully review specifications when developing a new product. The OUT is supported by either input power supply or a single cell Li-Ion battery. The available typical system load is 1.65A, while the minimum is 1.5A from a wall wart power supply. A system designer should always consider the worst condition. Please refer to page 5 of the MCP73871 Data Sheet (DS22090) for details.

Typical voltage converters are included, but not limited to buck, boost, buck/boost and LDO.

- Buck Converter – Step down to proper voltage level
- Boost Converter – Step up to proper voltage level
- Buck/Boost Converter – Step down and up depends on the input source and output requirement
- LDO – Low dropout voltage regulator for step down only

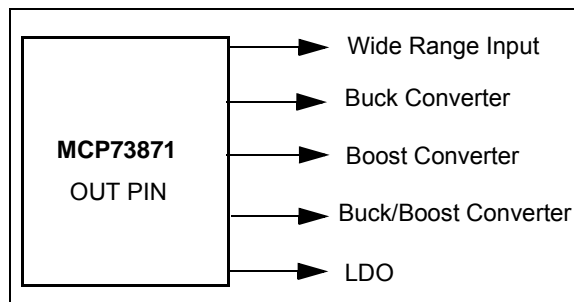


FIGURE 2: Typical DC-DC Voltage Converter Examples.

Note: When operating with single cell Li-Ion batteries, output voltage range can be from 3.0V-4.2V. It is recommended not to operate at minimum battery voltage, to prolong a Li-Ion battery's life. Please refer to the battery manufacturer's data sheet or design guide for details.

Power Supply Input (IN)

The MCP73871 can use a regular wall wart or a USB port from computers as its primary power supply. When using a regulated wall wart, the proper input voltage range must be between $V_{BAT} + 300\text{ mV}$ and 6V. The rated supply current of the wall wart has to meet the system requirement. Keep in mind that the MCP73871 device only supports up to 1.8A combined current for the system load and the charge current of a Li-Ion battery. When supplying from a USB port, the MCP73871 submits to the current limits governed by the USB specification.

INPUT CURRENT LIMIT CONTROL (ICLC)

Input Current Limit Control (ICLC) prevents the system and charger from overdrawing the available current from power sources. When the system demands more current than the input power supply can provide, or the input ICLC is reached, the switch will become forward biased, and the battery is able to supplement the input current to the system load.

The ICLC sustains the system load as its highest priority. This is done by reducing the non-critical charge current, while adhering to the current limits governed by the USB specification, or the maximum AC-DC adapter current supported. Further demand from the system is supported by the battery, if possible.

Selectable USB Port Input Current:

- Low: 1 Unit Load/High: 5 Unit Loads

Note: Each unit load is of 100 mA. A device should not draw more than the specified unit of loads.

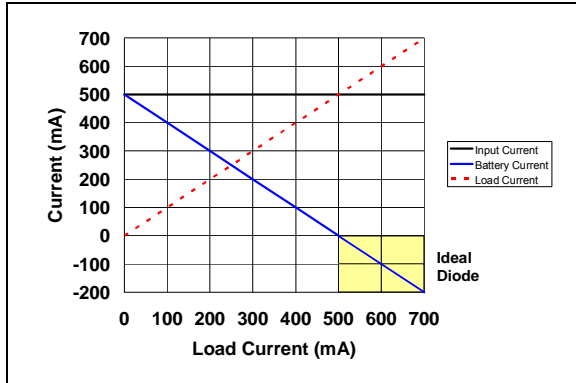


FIGURE 3: *USB_{High} - Input Current Limit Control.*

Figure 3 illustrates the function of ICLC when USB_{HIGH} is selected.

Input Source Type Selection (SEL)

The Input Source Type Selection (SEL) pin is used to select the input power source for the input current limit control feature. With logic-level high, the MCP73871 allows maximum current of 1800 mA from a typical wall wart. With logic-level low, the MCP73871 assumes that a USB port input power source is selected.

USB Port Current Set (PROG2)

The USB Port Current Regulation Set input (PROG2) is a digital input selection. A logic-low limits a 1-unit load input current from the low-power port (100 mA); a logic-high limits a 5-unit load input current from the high-power port (500 mA).

Unlike many monolithic battery charge management controllers that set the charge current for USB port operations, the PROG2 of MCP73871 sets input current limits for both system load and battery charge current, which ensures that no overcurrent is drawn from the USB ports.

Note: The overcurrent protection circuit that ensures proper operations and the safety of USB ports should be implemented at the host and self-powered hubs. The MCP73871 serves as secondary overcurrent protection from USB port only.

Fast Charge Current Set (PROG1)

Fast Charge Current Set (PROG1) determines the maximum constant current with a resistor tie from pin 13 to the ground (V_{SS}). PROG1 also sets the maximum allowed charge current and the termination current set point (10% of fast charge current). The programming resistance for desired charge current can be calculated using the following equation:

EQUATION 1: RESISTOR VS. CURRENT

$$I_{CHAREG} = \frac{1000V}{R_{PROG1}}$$

Where:

$$R_{PROG1} = \text{kilo-ohms (k}\Omega\text{)}$$

$$I_{REG} = \text{milli-ampere (mA)}$$

For example, a fast charge current that equals 760 mA is calculated to meet the design specification for a 950 mAh rated battery at 0.8C. A 750 mA fast charge current is selected to simplify the design process. A 1.3 k Ω resistor is chosen to allow a 750 mA fast charge current. A 750 mA precondition current, 10% of fast charge current, is applied to the Li-Ion battery when V_{BAT} is below the preconditioning cut-off voltage.

EQUATION 2: CHARGE CURRENT

$$950\text{mA} \times 0.8 = 760\text{mA}$$

Note: Select $I_{REG} = 750 \text{ mA}$

EQUATION 3: SELECT RESISTOR

$$R_{PROG1} = \frac{1000V}{750\text{mA}} = 1.3\text{k}\Omega$$

EQUATION 4: FAST CHARGE

When: $SEL = High$

$$I_{FastCharge} = I_{Supply} - I_{SystemLoad}$$

When: $SEL = Low; PROG2 = High$

$$I_{FastCharge} = 500\text{mA} - I_{SystemLoad}$$

When: $SEL = Low; PROG2 = Low$

$$I_{FastCharge} = 100\text{mA} - I_{SystemLoad}$$

The supply current has to be sufficient for the system load current and fast charge current. Otherwise, the system load current has priority over fast charge current.

Termination Current Set (PROG3)

The charge cycle is terminated when, during the Constant Voltage mode, the average charge current diminishes below a threshold established with the value of a resistor connected from PROG3 to V_{SS} or the internal timer has expired. The charge current is latched off and the MCP73871 enters a Charge Complete mode.

EQUATION 5: RESISTOR VS. CURRENT

$$I_{TERMINATION} = \frac{1000V}{R_{PROG3}}$$

Where:

$$R_{PROG3} = \text{kilo-ohms (k}\Omega\text{)}$$

$$I_{TERMINATION} = \text{milli-ampere (mA)}$$

The termination current is the same for inputs, from either the USB port or the AC-DC adapter, and needs to be less than the charge current set to ensure system function properly.

Voltage Proportional Charge Control (VPCC)

Voltage Proportional Charge Control (VPCC) is a key feature of MCP73871 that allows the output to maintain the proper voltage level, even when the input varies. Equation 6 demonstrates how to calculate the proper value for VPCC. When the VPCC voltage drops below 1.23V, it triggers the dynamic function of MCP73871 to maintain the proper output voltage level, with support from the Li-Ion battery. Equation 6 assumes the required input voltage of 5V. The resistor selection is flexible. Figure 4 depicts the connection of the voltage divider that supplies proper voltage for the VPCC pin. The divider is based on the calculation of Equation 6. However, if the input drops below UVLO, the Li-Ion battery will become the primary power source.

EQUATION 6: VPCC DIVIDER

$$V_{VPCC} = \left(\frac{R_2}{R_1 + R_2} \right) \times V_{IN} = 1.23V$$

Assume: $R_2 = 110k\Omega$

$$1.23V = \left(\frac{110k\Omega}{110k\Omega + R_1} \right) \times 5V$$

$$R_1 = 337.2k\Omega$$

$R_1 = 330k\Omega$ is selected

Note: If the VPCC function is not required in a system, the VPCC pin can simply connect to V_{IN} . The resistors are selected at a hundred kohm range, to minimize the supply current from the voltage divider.

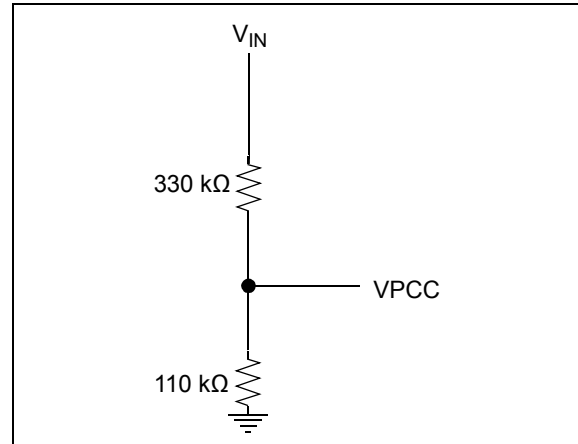


FIGURE 4: VPCC Divider.

Battery Temperature Monitor (THERM)

The MCP73871 continuously monitors the battery temperature during a charge cycle by measuring the voltage between the THERM and V_{SS} pins. An internal 50 μ A current source provides the bias for a typical 10 k Ω negative-temperature coefficient thermistor (NTC). The MCP73871 compares the voltage at the THERM pin to the factory-set thresholds of 1.23V and 0.25V, typically. Once a voltage outside the thresholds is detected during a charge cycle, the MCP73871 immediately suspends the charge cycle. The charge cycle resumes when the voltage at the THERM pin returns to the normal range.

The charge temperature window can be set by placing fixed value resistors in series-parallel with a thermistor. The resistance values of R_{T1} and R_{T2} can be calculated with the following equations, in order to set the temperature window of interest.

EQUATION 7: NTC

$$24k\Omega = R_{T1} + \frac{R_{T2} \times R_{COLD}}{R_{T2} + R_{COLD}}$$

$$5k\Omega = R_{T1} + \frac{R_{T2} \times R_{HOT}}{R_{T2} + R_{HOT}}$$

Where:

- R_{T1} is the fixed series resistance
- R_{T2} is the fixed parallel resistance
- R_{COLD} is the thermistor resistance at the lower temperature of interest
- R_{HOT} is the thermistor resistance at the upper temperature of interest

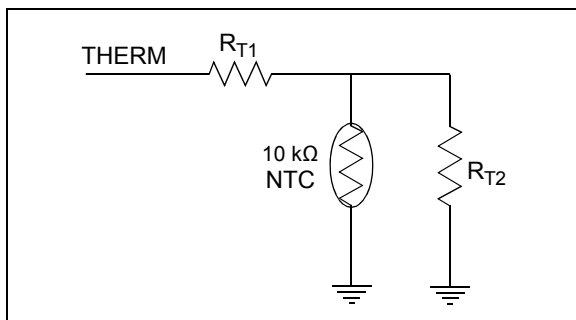


FIGURE 5: Resistor Connection.

Battery Charge Control Output (V_{BAT}) and Battery Voltage Sense (V_{BAT_SENSE})

Connect to the positive terminal of Li-Ion batteries for restoring energy back to the batteries. It is recommended to apply a ceramic capacitor with low Equivalent Series Resistance (ESR) and Equivalent Series Inductance (ESL) to ensure loop stability when the battery is disconnected. A precision internal voltage sense regulates the final voltage on this $V_{BATTERY_VOLTAGE_SENSE}$ to the positive terminal of a Li-Ion battery.

Timer Enable (\overline{TE})

The Timer Enable (\overline{TE}) input option is used to enable or disable the internal timer. A low signal on this pin enables the internal timer and a high signal disables the internal timer. The \overline{TE} input can be used to disable the timer when the system load is substantially limiting the available supply current to charge the battery. The \overline{TE} input is compatible with 1.8V logic.

Note: The built-in safety timer is available for the following options: 4 HR, 6 HR and 8 HR.

Charge Enable (CE)

With the CE input low, the Li-Ion battery charger feature of the MCP73871 will be disabled. The charger feature is enabled when CE is active-high. Allowing the CE pin to float during the charge cycle may cause system instability. The CE input is compatible with 1.8V logic.

Charge Status Outputs (STAT1, STAT2)

STAT1 and STAT2 are open-drain logic outputs for connection to LEDs that are used for charge status indication. Alternatively, a pull-up resistor can be applied for interfacing to a host microcontroller. The Low Battery Output (\overline{LBO}) indicator shares the same output pin with STAT1. It reminds the system or the end user when the Li-Ion battery level is low. The \overline{LBO} feature is enabled when the system is running from the Li-Ion batteries. The \overline{LBO} indicator can be used as an indication to the user via a lit up LED, or to the system via a pull-up resistor, when interfacing to a host microcontroller that an input source, other than the battery, is supplying power. When using a low battery output indicator, the STAT1 pin needs to connect to a working voltage source, other than V_{IN} .

Power Good (\overline{PG})

The Power Good (\overline{PG}) is an open-drain logic output for the input power supply indication. The \overline{PG} output is low whenever the input to the MCP73871 is above the UVLO threshold and greater than the battery voltage. The \overline{PG} output can be used as an indication to the user via a lit up LED, or to the system via a pull-up resistor, when interfacing to a host microcontroller that an input source, other than the battery, is supplying power.

Table 1 depicts the status outputs of MCP73871 in various conditions.

TABLE 1: STATUS OUTPUTS

STATE	STAT1	STAT2	\overline{PG}
Shutdown	High Z	High Z	High Z
Preconditioning	L	High Z	L
Constant Current	L	High Z	L
Constant Voltage	L	High Z	L
Charge Complete - Standby	High Z	L	L
Temperature Fault	L	L	L
Timer Fault	L	L	L
Low Battery Output	L	High Z	High Z
No Battery Present	High Z	High Z	L
No Input Power Present	High Z	High Z	High Z

Design Specifications/Requirement

- Input Voltage Range:
 - 2A rated 5V +/- 5% AC-DC adapter
 - 950 mAh Li-Ion battery (3.6V Nominal)
- Constant Charge Current:
 - 1C (Please refer to the recommended value from selected battery manufacturer)
- Constant Charge Voltage: 4.2V
- Precondition Current:
 - 0.1C or recommend value (Please refer to the recommended value from selected battery manufacturer)
- Termination Current
 - 0.07C (Please refer to the recommended value from selected battery manufacturer)
- Low battery warning
- Safety Timer: Turn charger off after 6 hours before termination.

Note: **“C” Rate Definition:** The theoretical capacity of a battery is determined by the amount of active materials in the battery. It is expressed as the total quantity of electricity involved in the electrochemical reaction, and is defined in terms of coulombs or ampere-hours.

EQUATION 8: SELECT RESISTOR

$$R_{PROG1} = \frac{1000V}{950mA} = 1.05k\Omega$$

TESTING CONDITIONS:

- Battery Open Voltage: 3.8V (Both Charge and Discharge)
- Battery Capacity: 950 mAh
- Battery Charge Voltage: 4.2V
- Battery Nominal Voltage: 3.6V
- Supply Voltage: 5.2V
- Constant Current (Fast Charge): 950 mA
- Minimum System Load: 100 mA
- Maximum System Load: 520 mA

SUMMARY

The MCP73871 helps system designers simplify the design complexities and minimize the external component for portable devices. Integrated load-sharing and power path management allow seamless switching between system load and charge current in different conditions. The MCP73871 also offers an independent charge current and termination current settings through resistors and preset logic inputs.

For input power management, the ICLC avoids the overcurrent drain from a restricted power source, such as a USB port. VPCC enables system load in maintaining proper voltage level when input power supply is insufficient. Depending on the power path conditions, the battery will either be in Help mode or primary power source.

The MCP73871 also offers three standard status outputs, two statuses for battery management and one for power good. In addition to the standard status outputs, the low battery indicator is also available from the MCP73871. In order to minimize external components, there are many factory preset options to choose from. Please refer to the MCP73871 Data Sheet (DS22090) for additional information.

Figure 6 and Figure 7 depict the example system with a typical 950 mAh rated Li-Ion battery. Figure 6 shows a typical charge profile with a continuous current at 100 mA from the system load and 950 mA fast charge current. Figure 7 shows a typical discharge profile of a continuous current at 520 mA.

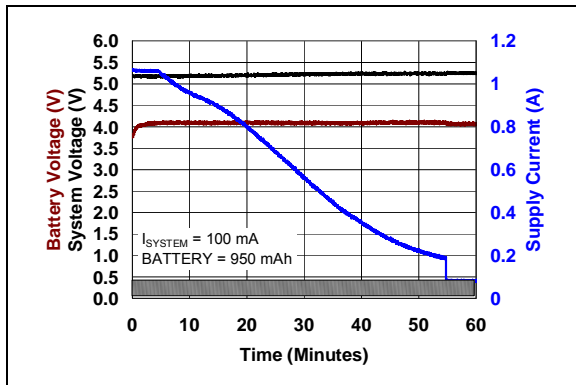


FIGURE 6: Typical Charge Profile With 100 mA System Load.

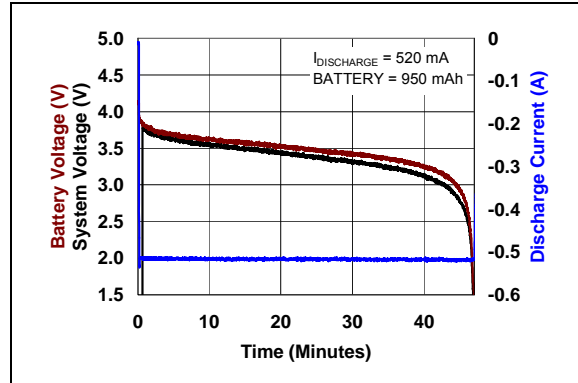


FIGURE 7: Discharge Profile.

The MCP73871 Evaluation Board, User's Guide and Gerber File are available through Microchip's web site: <http://www.microchip.com>.

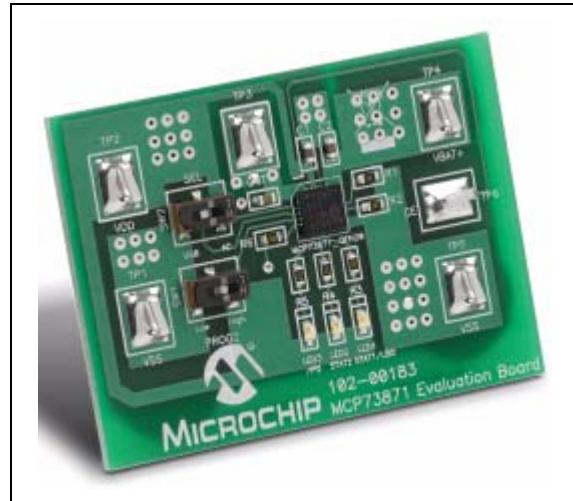


FIGURE 8: MCP73871 Evaluation Board.

REFERENCES

- [1] MCP73871 Data Sheet, *“Stand-Alone System Load Sharing and Li-Ion/Li-Polymer Battery Charge Management Controller”*, Microchip Technology Inc., DS22090, ©2008.
- [2] *“Lithium Batteries”*, Gholam-Abbas Nazri and Gianfranco Pistoia Eds.; Kluwer Academic Publishers, ©2004.
- [3] *“Handbook of Batteries, Third Edition”*, David Linden, Thomas B. Reddy; McGraw Hill Inc., ©2002.
- [4] AN1149, *“Designing A Li-Ion Battery Charger and Load Sharing System With Microchip’s Stand-Alone Li-Ion Battery Charge Management Controller”*, Brian Chu; Microchip Technology Inc., DS01149, ©2008.
- [5] AN1088, *“Selecting the Right Battery System for Cost-Sensitive Portable Applications. While Maintaining Excellent Quality”*, Brian Chu; Microchip Technology Inc., DS01088, ©2007.

AN1260

NOTES:

Note the following details of the code protection feature on Microchip devices:

- Microchip products meet the specification contained in their particular Microchip Data Sheet.
- Microchip believes that its family of products is one of the most secure families of its kind on the market today, when used in the intended manner and under normal conditions.
- There are dishonest and possibly illegal methods used to breach the code protection feature. All of these methods, to our knowledge, require using the Microchip products in a manner outside the operating specifications contained in Microchip's Data Sheets. Most likely, the person doing so is engaged in theft of intellectual property.
- Microchip is willing to work with the customer who is concerned about the integrity of their code.
- Neither Microchip nor any other semiconductor manufacturer can guarantee the security of their code. Code protection does not mean that we are guaranteeing the product as “unbreakable.”

Code protection is constantly evolving. We at Microchip are committed to continuously improving the code protection features of our products. Attempts to break Microchip's code protection feature may be a violation of the Digital Millennium Copyright Act. If such acts allow unauthorized access to your software or other copyrighted work, you may have a right to sue for relief under that Act.

Information contained in this publication regarding device applications and the like is provided only for your convenience and may be superseded by updates. It is your responsibility to ensure that your application meets with your specifications. MICROCHIP MAKES NO REPRESENTATIONS OR WARRANTIES OF ANY KIND WHETHER EXPRESS OR IMPLIED, WRITTEN OR ORAL, STATUTORY OR OTHERWISE, RELATED TO THE INFORMATION, INCLUDING BUT NOT LIMITED TO ITS CONDITION, QUALITY, PERFORMANCE, MERCHANTABILITY OR FITNESS FOR PURPOSE. Microchip disclaims all liability arising from this information and its use. Use of Microchip devices in life support and/or safety applications is entirely at the buyer's risk, and the buyer agrees to defend, indemnify and hold harmless Microchip from any and all damages, claims, suits, or expenses resulting from such use. No licenses are conveyed, implicitly or otherwise, under any Microchip intellectual property rights.

Trademarks

The Microchip name and logo, the Microchip logo, dsPIC, KEELOQ, KEELOQ logo, MPLAB, PIC, PICmicro, PICSTART, PIC³² logo, rPIC and UNI/O are registered trademarks of Microchip Technology Incorporated in the U.S.A. and other countries.


FilterLab, Hampshire, HI-TECH C, Linear Active Thermistor, MXDEV, MXLAB, SEEVAL and The Embedded Control Solutions Company are registered trademarks of Microchip Technology Incorporated in the U.S.A.

Analog-for-the-Digital Age, Application Maestro, chipKIT, chipKIT logo, CodeGuard, dsPICDEM, dsPICDEM.net, dsPICworks, dsSPEAK, ECAN, ECONOMONITOR, FanSense, HI-TIDE, In-Circuit Serial Programming, ICSP, Mindi, MiWi, MPASM, MPLAB Certified logo, MPLIB, MPLINK, mTouch, Omniscient Code Generation, PICC, PICC-18, PICDEM, PICDEM.net, PICKit, PICtail, REAL ICE, rLAB, Select Mode, Total Endurance, TSHARC, UniWinDriver, WiperLock and ZENA are trademarks of Microchip Technology Incorporated in the U.S.A. and other countries.

SQTP is a service mark of Microchip Technology Incorporated in the U.S.A.

All other trademarks mentioned herein are property of their respective companies.

© 2009-2011, Microchip Technology Incorporated, Printed in the U.S.A., All Rights Reserved.

 Printed on recycled paper.

ISBN: 978-1-61341-274-9

QUALITY MANAGEMENT SYSTEM
CERTIFIED BY DNV
== ISO/TS 16949:2009 ==

Microchip received ISO/TS-16949:2002 certification for its worldwide headquarters, design and wafer fabrication facilities in Chandler and Tempe, Arizona; Gresham, Oregon and design centers in California and India. The Company's quality system processes and procedures are for its PIC[®] MCUs and dsPIC[®] DSCs, KEELOQ[®] code hopping devices, Serial EEPROMs, microperipherals, nonvolatile memory and analog products. In addition, Microchip's quality system for the design and manufacture of development systems is ISO 9001:2000 certified.



MICROCHIP

Worldwide Sales and Service

AMERICAS

Corporate Office
2355 West Chandler Blvd.
Chandler, AZ 85224-6199
Tel: 480-792-7200
Fax: 480-792-7277
Technical Support:
<http://www.microchip.com/support>
Web Address:
www.microchip.com

Atlanta
Duluth, GA
Tel: 678-957-9614
Fax: 678-957-1455

Boston
Westborough, MA
Tel: 774-760-0087
Fax: 774-760-0088

Chicago
Itasca, IL
Tel: 630-285-0071
Fax: 630-285-0075

Cleveland
Independence, OH
Tel: 216-447-0464
Fax: 216-447-0643

Dallas
Addison, TX
Tel: 972-818-7423
Fax: 972-818-2924

Detroit
Farmington Hills, MI
Tel: 248-538-2250
Fax: 248-538-2260

Indianapolis
Noblesville, IN
Tel: 317-773-8323
Fax: 317-773-5453

Los Angeles
Mission Viejo, CA
Tel: 949-462-9523
Fax: 949-462-9608

Santa Clara
Santa Clara, CA
Tel: 408-961-6444
Fax: 408-961-6445

Toronto
Mississauga, Ontario,
Canada
Tel: 905-673-0699
Fax: 905-673-6509

ASIA/PACIFIC

Asia Pacific Office
Suites 3707-14, 37th Floor
Tower 6, The Gateway
Harbour City, Kowloon
Hong Kong
Tel: 852-2401-1200
Fax: 852-2401-3431

Australia - Sydney
Tel: 61-2-9868-6733
Fax: 61-2-9868-6755

China - Beijing
Tel: 86-10-8569-7000
Fax: 86-10-8528-2104

China - Chengdu
Tel: 86-28-8665-5511
Fax: 86-28-8665-7889

China - Chongqing
Tel: 86-23-8980-9588
Fax: 86-23-8980-9500

China - Hangzhou
Tel: 86-571-2819-3180
Fax: 86-571-2819-3189

China - Hong Kong SAR
Tel: 852-2401-1200
Fax: 852-2401-3431

China - Nanjing
Tel: 86-25-8473-2460
Fax: 86-25-8473-2470

China - Qingdao
Tel: 86-532-8502-7355
Fax: 86-532-8502-7205

China - Shanghai
Tel: 86-21-5407-5533
Fax: 86-21-5407-5066

China - Shenyang
Tel: 86-24-2334-2829
Fax: 86-24-2334-2393

China - Shenzhen
Tel: 86-755-8203-2660
Fax: 86-755-8203-1760

China - Wuhan
Tel: 86-27-5980-5300
Fax: 86-27-5980-5118

China - Xian
Tel: 86-29-8833-7252
Fax: 86-29-8833-7256

China - Xiamen
Tel: 86-592-2388138
Fax: 86-592-2388130

China - Zhuhai
Tel: 86-756-3210040
Fax: 86-756-3210049

ASIA/PACIFIC

India - Bangalore
Tel: 91-80-3090-4444
Fax: 91-80-3090-4123

India - New Delhi
Tel: 91-11-4160-8631
Fax: 91-11-4160-8632

India - Pune
Tel: 91-20-2566-1512
Fax: 91-20-2566-1513

Japan - Yokohama
Tel: 81-45-471- 6166
Fax: 81-45-471-6122

Korea - Daegu
Tel: 82-53-744-4301
Fax: 82-53-744-4302

Korea - Seoul
Tel: 82-2-554-7200
Fax: 82-2-558-5932 or
82-2-558-5934

Malaysia - Kuala Lumpur
Tel: 60-3-6201-9857
Fax: 60-3-6201-9859

Malaysia - Penang
Tel: 60-4-227-8870
Fax: 60-4-227-4068

Philippines - Manila
Tel: 63-2-634-9065
Fax: 63-2-634-9069

Singapore
Tel: 65-6334-8870
Fax: 65-6334-8850

Taiwan - Hsin Chu
Tel: 886-3-6578-300
Fax: 886-3-6578-370

Taiwan - Kaohsiung
Tel: 886-7-213-7830
Fax: 886-7-330-9305

Taiwan - Taipei
Tel: 886-2-2500-6610
Fax: 886-2-2508-0102

Thailand - Bangkok
Tel: 66-2-694-1351
Fax: 66-2-694-1350

EUROPE

Austria - Wels
Tel: 43-7242-2244-39
Fax: 43-7242-2244-393

Denmark - Copenhagen
Tel: 45-4450-2828
Fax: 45-4485-2829

France - Paris
Tel: 33-1-69-53-63-20
Fax: 33-1-69-30-90-79

Germany - Munich
Tel: 49-89-627-144-0
Fax: 49-89-627-144-44

Italy - Milan
Tel: 39-0331-742611
Fax: 39-0331-466781

Netherlands - Drunen
Tel: 31-416-690399
Fax: 31-416-690340

Spain - Madrid
Tel: 34-91-708-08-90
Fax: 34-91-708-08-91

UK - Wokingham
Tel: 44-118-921-5869
Fax: 44-118-921-5820

05/02/11